

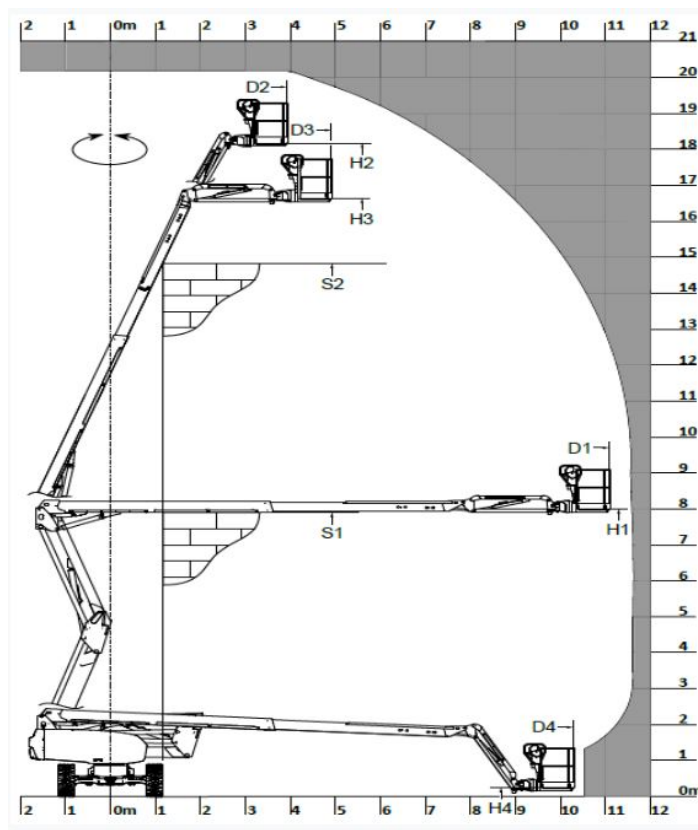
Technical sheet

# 200 ATJ-E

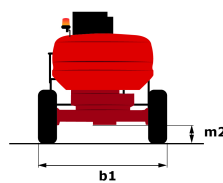
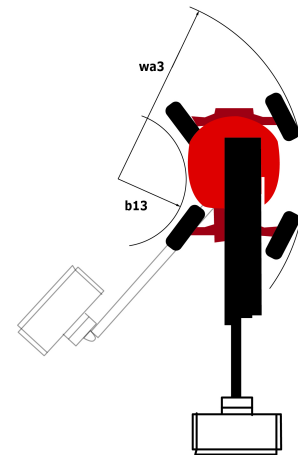
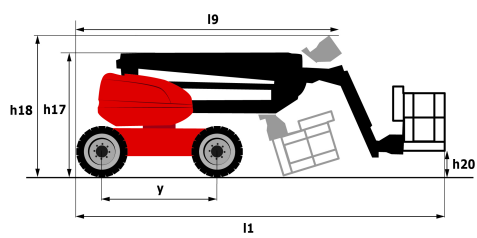
Aerial Work Platforms Electric Articulated Jib



Capacities	Metric	Imperial
Working height	20 m	66 ft 7 in
Platform height	18 m	60 ft
Horizontal outreach	11.57 m	39 ft 4 in
Overhang	7.90 m	26 ft 3 in
Pendular arm rotation (top/bottom)	65 ° / -60 °	65 ° / -60 °
Platform capacity	230 kg	507 lbs
Turret rotation	350 °	350 °
Platform rotation (right/left)	90 ° / 90 °	90 ° / 90 °
Number of people (inside/outside)	2 / 2	2 / 2
Weight and dimensions		
2.1 - Platform weight*	7100 kg	15652 lbs
2.2 - Platform dimension (L x l)	1.5 x 0.8 m	6ft 11in x 2ft 7in ft
b1 - Overall width	2.32 m	7 ft 10 in
l1 - Overall length	8.34 m	27 ft 7 in
l9 - Overall length (folded)	6.06 m	20 ft 8 in
h17 - Overall height	2.45 m	8 ft 10 in
h18 - Overall height (folded)	2.38 m	9 ft
a7 - Counterweight offset (turret at 90°)	0.64 m	4 in
b13 - Inner turning radius	2.42 m	5 ft
wa3 - Outer turning radius	5.31 m	13 ft 8 in
m2 - Ground clearance at center of frame	0.38 m	1 ft 5 in
y - Wheelbase	2.30 m	7 ft 10 in
Performances		
Travel speed	5 km/h	2.90 mph
Working speed	0.70 km/h	0.50 mph
Gradeability	45 %	45 %
Permissible leveling	4 °	4 °
Tires		
Type of tires	TyresType.No Marking	TyresType.No Marking
Drive wheels (front/rear)	2 / 2	2 / 2
Steering wheels (front/rear)	2 / 0	2 / 0
Braking wheels (front/rear)	0 / 2	0 / 2
Engine		
Electric engine power rating	16 kW	16 kW
Batteries (C5)	48 V / 460 Ah	48 V / 460 Ah
Integrated charger	48 V / 60 Ah	48 V / 60 Ah
Miscellaneous		
Maximum available hydraulic pressure	240 bar	4858 psi
Capacity of hydraulic tank	25 l	21.13 US gal.



Dimensional drawing



# Equipment

---

## Standard

Non-marking tires

230V Predisposition

4 simultaneous movements

4 wheel drive

Active oscillating front axle

Audible alarm and illuminated indicator lamp (leveling, overload, lowering)

Backup electrical pump

CAN bus technology

Dead man pedal

Differential locking on rear axle

Emergency stop button in platform and on frame

Easy Connect System (ECS)

Flat LED rotating beacon (-71 mm)

Integrated diagnostic assistance

Multi-voltage integrated charger

Tool box in platform

Fully galvanized basket with demountable floor

Travel possible at maximum height

## Optional

Beep on every movement

Beep upon travel

Coded anti-start

SMS : Safe Man System

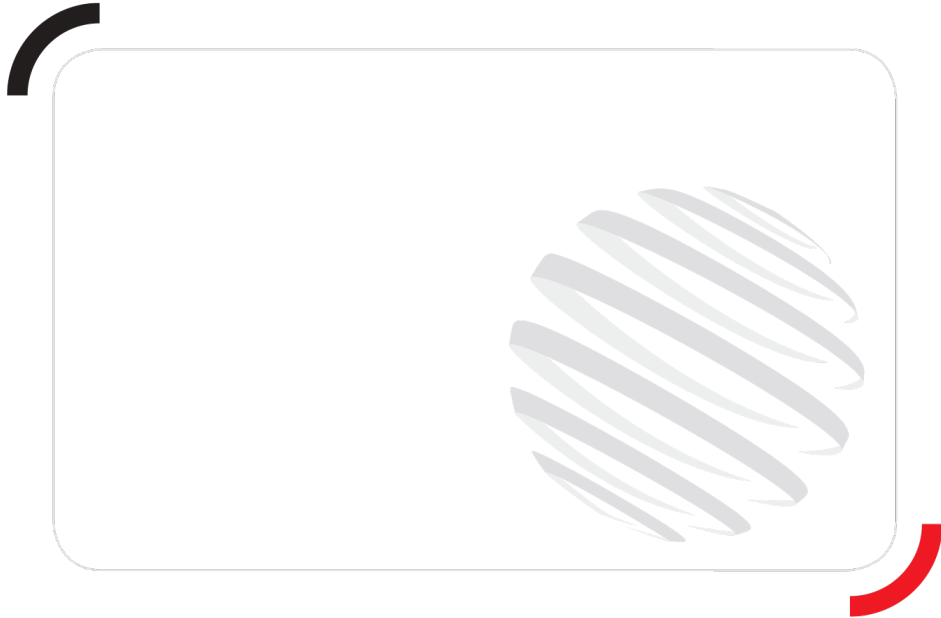
Galvanized basket 1,800 mm

Safety harness

Easy Manager

Turret cover with key lock

110 or 230V plug with differential circuit-breaker



Siège Social  
430 rue de l'Aubinière - 44150 Ancenis Cedex - France  
Tel: +33(0)2 40 09 10 11 - Fax: +33 (0)2 40 09 10 97  
[www.manitou.com](http://www.manitou.com)



This brochure describes versions and configuration options for Manitou products which may be fitted with different equipment. The equipment described in this brochure may be standard, optional or not available depending on version. Manitou reserves the right to change the specifications shown and described at any time and without prior warning. The manufacturer is not liable for the specifications given. For more information, contact your Manitou dealer. Non-contractual document. Product descriptions may differ from actual products. List of specifications is not comprehensive. The logos and visual identity of the company are the property of Manitou and may not be used without authorisation. All rights reserved. The photos and diagrams contained in this brochure are provided for information only.

MANITOU BF SA - Limited company with board of directors - Share capital: 39,547,824 euros - 857 802 508 RCS Nantes