

niftylift

TD120T



(A) 12.2m
40ft



(B) 10.2m
33ft 6in



(C)

6.1m
20ft



200kg
440lbs



1.1m x 0.65m
3ft 7in x 2ft 2in



(D) 1.9m
6ft 3in



(F)

1.1m
3ft 7in



(G)

3.55m
11ft 8in



(J)

3.95m
13ft



1.6km/h
1mph



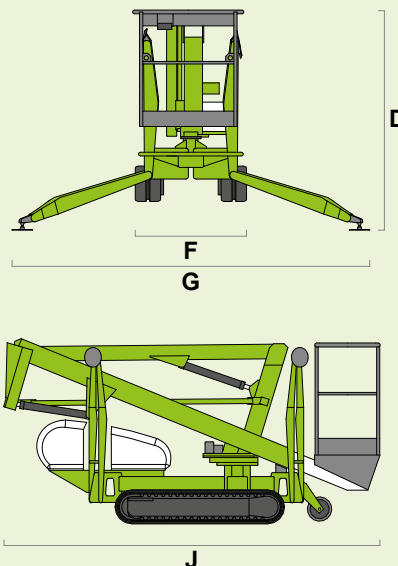
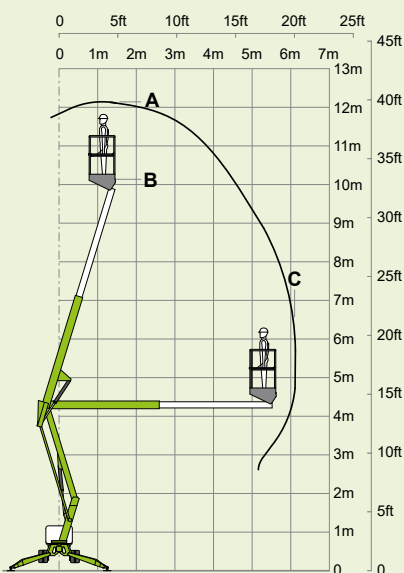
60%
31°



1890kg
4170lbs



13%
7.6°

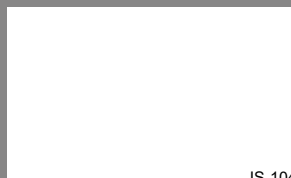


GANTIC
WWW.GANTIC.NO

Bleivassvegen 34,
5347 Kystbasen Ågotnes,
Norway

+47 55 31 55 31
post@gantic.no
www.gantic.no

QUALITY MANAGEMENT	ENVIRONMENTAL MANAGEMENT	HEALTH & SAFETY MANAGEMENT



IS-104

