

COMPACT EXCAVATOR

TAKEUCHITM
From World First to World Leader

TB228



Operating Weight: 2,885 kg

Product Features & Specifications

ENGINE

- Automatic Fuel Bleed System
- Automatic Deceleration (optional)
- Engine Preheat
- Extended Life Coolant
- High Capacity Fuel Filters
- Double Element Air Cleaner (optional)

ELECTRICAL

- Multi-Informational Display
- Sealed Rocker Switches
- 12 volt System with 40 amp Alternator
- Hour Meter
- 2 Canopy Lights (optional)
- 2 Cab Front Lights (optional)
- 1 Cab Rear Light (optional)
- 1 Working Light on Boom
- Beacon Socket
- Battery Switch (optional)
- Travel Alarm (optional)
- Horn

OPERATOR'S STATION

- ROPS / TOPS / OPG Level 1 Canopy / Cab
- Deluxe High Back Suspension Seat
- 2" Retractable Seat Belt
- Head Rest (optional)
- Cab with Heat Defrost, Windshield Wiper and Washer, Skylight, AM / FM / MP3 Radio
- OPG Level 1 Front Guard (Cab optional)

UNDERCARRIAGE AND FRAME

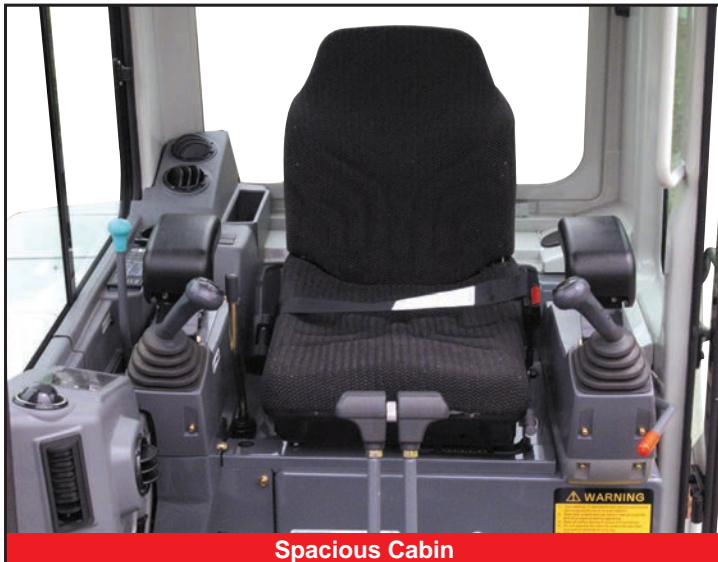
- Triple Flanged Track Rollers
- 2-Speed Travel with Automatic Shift
- Sloped Frame with Open Centers
- Heavy Duty Dozer Blade with Float (optional)
- Large Wraparound Counterweight
- 300 mm Rubber Crawlers
- 300 mm Steel Crawlers (optional)
- Power Angle Blade with Float (optional)

HYDRAULIC

- Variable Displacement Pump
- Straight Travel Circuit
- Hydraulic Joystick Controls
- Service Port 1 with on/off Switch
- Proportional Control for Service Port 1 (optional)
- Foot Pedal Control for Service Port 1 (optional)
- Detent for Service Port 1 (optional)
- Proportional Control for Service Port 2 (optional)
- Service Port 3 for Quick Hitch (optional)
- Hydraulic Selector Valve (1-way / 2-way)
- Pilot Accumulator (optional)
- Air Breather, Hydraulic Tank (optional)

WORKING EQUIPMENT

- Independent Mono Boom Swing
- Cushioned Boom and Swing Cylinder
- 1,135 mm Arm
- 1,290 mm Arm (optional)
- 1,445 mm Arm (optional)
- Arm and Boom Holding Valve with Lift Alarm (optional)
- Pattern Change Valve (ISO or G) (optional)
- Boom Swing Stopper (optional)



Spacious Cabin



Automotive Styled Interior

TOUGH, POWERFUL, RELIABLE



2-Speed Travel w/ Auto Shift



Wraparound Counterweight



Triple Flanged Track Rollers



Hydraulic Pilot Joysticks

The TB228 features all steel construction, a spacious operator station, automotive styled interior, smooth and powerful hydraulic system, and hydraulic pilot joystick controls that deliver precise responsive controls.

The TB228 provides impressive arm and bucket breakout force, dig depth, reach and lifting capacity for maximum productivity making it a great choice for the most demanding applications.

Additional features include automatic fuel bleed system, a tilt-up operator station and a large wraparound counterweight that protects engine components from damage.

The operator is protected by a ROPS / TOPS / OPG protective structure that keeps the operator safe and comfortable on any job site.



OPERATING PERFORMANCE

Operating Weight - Cab	2,885 kg
Operating Weight - Canopy	2,770 kg
Bucket Capacity (Heaped)	0.068 m ³
Slew Speed	10.0 min-1
Travel Speed	
1st	2.8 km/h
2nd	4.9 km/h
Gradeability	30°
Ground Pressure - Cab	29.5 kPa
Ground Pressure - Canopy	28.3 kPa
Maximum Bucket Breakout Force	21.0 kN
Maximum Arm Digging Force	15.0 kN
Traction Force	28.2 kN
Boom Swing Angle (Left/Right)	75° / 60°

ENGINE

Model	Yanmar / 3TNV82A
Rated Output (ISO 14396)	17.8 kW / 2,400 min-1
Maximum Torque	85.3 Nm / 1,440 min-1
Displacement	1,331 ml
Alternator	12 V - 0.48 kW
Battery (IEC 60095-1)	12 V - 73.0 A·h

FLUID CAPACITY

Engine Lubrication	3.6 L
Cooling System	4.2 L
Fuel Tank Capacity	53.0 L
Hydraulic Reservoir Capacity	35.0 L
Hydraulic System Capacity	56.0 L

HYDRAULIC SYSTEM

P1, P2	Variable Displacement Pump
Flow Rate	30.2 L/min
Relief Pressure	21.0 MPa
P3	Gear Pump
Flow Rate	20.4 L/min
Relief Pressure	19.6 MPa
Service Port 1	
Flow Rate	51.0 L/min
Hydraulic Pressure	21.0 MPa
Service Port 2	
Flow Rate	20.0 L/min
Hydraulic Pressure	19.6 MPa
Service Port 3	
Hydraulic Pressure	19.6 MPa

SAFETY and HEALTH

Vibration Levels	
Hand / Arm	≤ 2.5 m/s ²
Body	≤ 0.5 m/s ²
Noise Level	
Sound Power Level	L _{WA} 94 dB



Multi-Informational Display



Tilt-Up Cabin

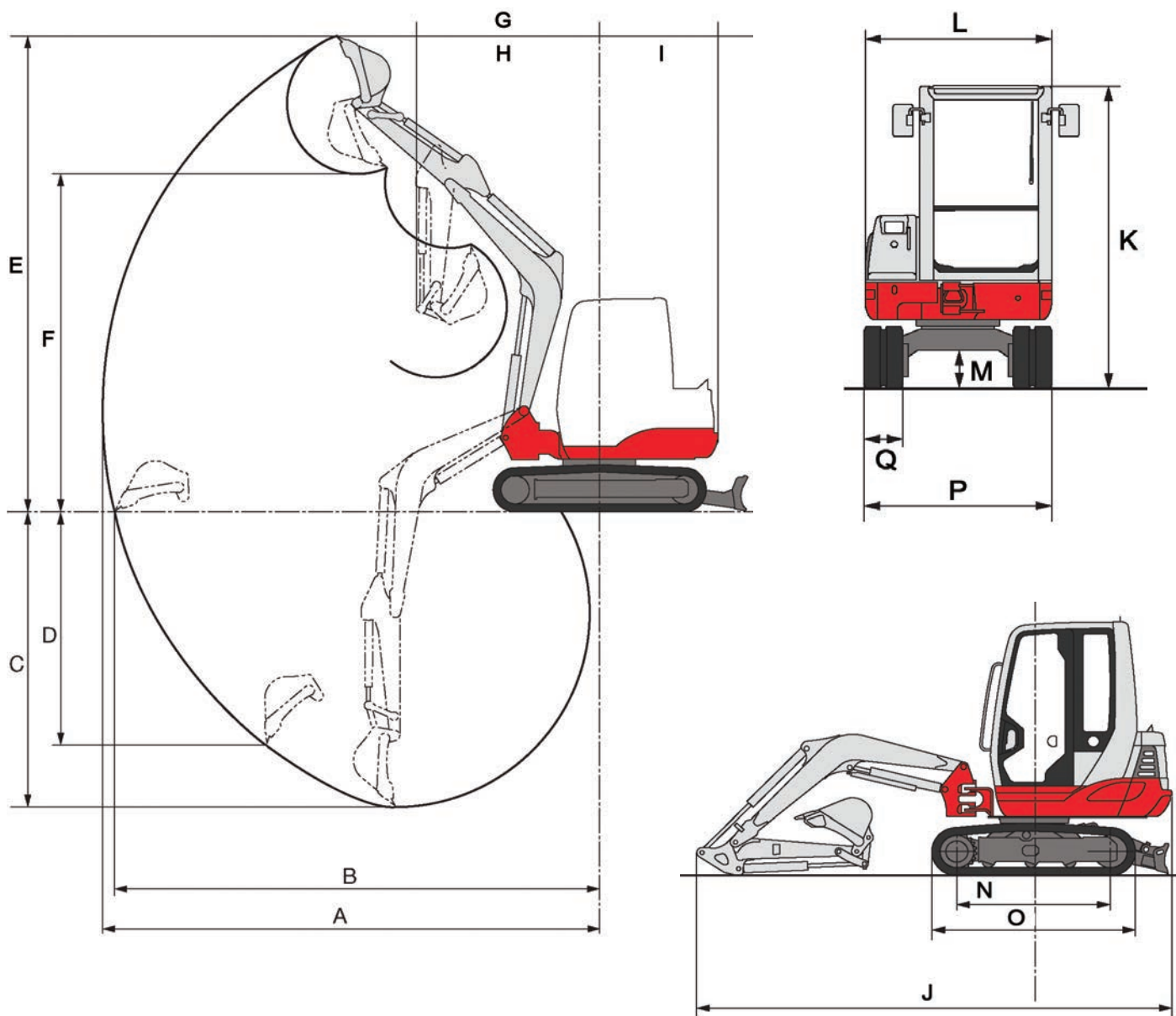


Auxiliary Hydraulic Lines



Main Boom Cylinder Guard

TB228 Compact Excavator



MACHINE DIMENSIONS	1,135 mm ARM	1,290 mm ARM	1,445 mm ARM
A Maximum Reach	4,570 mm	4,705 mm	4,850 mm
B Maximum Reach at Ground Level	4,430 mm	4,570 mm	4,725 mm
C Maximum Digging Depth	2,565 mm	2,720 mm	2,875 mm
D Maximum Vertical Digging Depth	1,920 mm	2,040 mm	2,190 mm
E Maximum Height of Cutting Edge	4,305 mm	4,370 mm	4,450 mm
F Maximum Dumping Height	3,045 mm	3,110 mm	3,190 mm
G Front Swing Radius	1,875 mm	1,880 mm	1,885 mm
H Front Swing Radius with Boom Offset	1,520 mm	1,530 mm	1,535 mm
I Slew Radius	1,285 mm	1,285 mm	1,285 mm
J Overall Length	4,405 mm	4,460 mm	4,460 mm
K Overall Height	2,445 mm	2,445 mm	2,445 mm
L Upper Structure Overall Width	1,460 mm	1,460 mm	1,460 mm
M Ground Clearance	300 mm	300 mm	300 mm
N Crawler Base	1,440 mm	1,440 mm	1,440 mm
O Crawler Overall Length	1,895 mm	1,895 mm	1,895 mm
P Crawler Overall Width	1,450 mm	1,450 mm	1,450 mm
Q Crawler Shoe Width	300 mm	300 mm	300 mm



© 2018 Takeuchi MFG. Co., Ltd. All Rights Reserved. In accordance with our established policy of continued improvement, specifications and features are subject to change without notice. Pictures may show options other than standard equipment.

FORM: TB228 Compact Excavator Spec Sheet - Mar. 2018

TAKEUCHI[™]
From World First to World Leader