

NEW ARRIVAL

FULL HYDRAULIC COMPACT EXCAVATOR

TB210R

Machine Weight : 1150kg



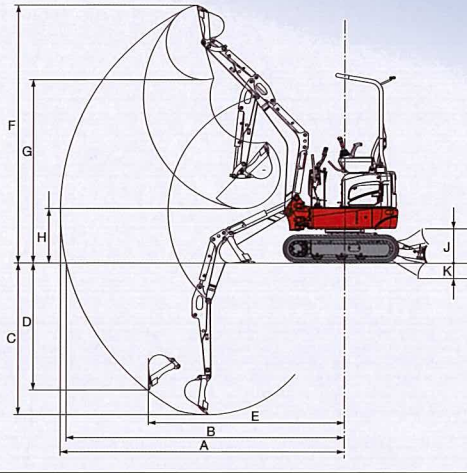
TAKEUCHI

TB210R

Machine Weight : 1150kg

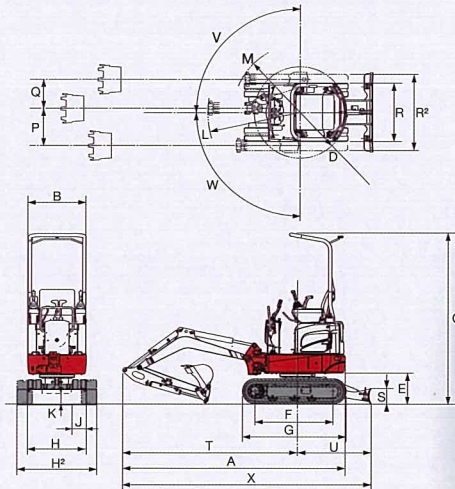
Operating Range

A	3285
B	3215
C	1755
D	1470
E	2265
F	2990
G	2125
H	630
J	250
K	175



Dimensions

A	2855
B	750
C	2195
D	585
E	395
F	1005
G	1325
H	750
H2	1020
J	180
K	155
L	1320
M	980
P	510
Q	505
R	750
R2	1020
S	200
T	2245
U	930
V	85°
W	85°
X	3175



SPECIFICATIONS

Basic Specifications / Dimensions			Operating Ranges / Digging force		
Operating Mass	kg	1150	Arm Digging Force	kN	6.4
Bucket Capacity (Heaped)	m ³	0.022	Arm Length	mm	880
Engine Manufacturer	—	KUBOTA	Boom Cylinder Layout		Rear
Engine Model	—	D722			
Engine Compliance	—	—	Hydraulic Performance		
Rated Output (ISO 9249)	kW/min ⁻¹	8.6/2200	Main Relief Valve Pressure Setting	MPa	18.2
Fuel Tank Capacity	L	13.4	Hydraulic Pump Delivery	L/min	2×11.1+1×5.8
Overall Length	mm	2855	Hydraulic Oil System	L	12.1
Upperstructure Overall Width	mm	750	Service Port 1 Pressure	MPa	18.2
Overall Height	mm	2195	Service Port 1 Flow Rate	L/min	22.2
Crawler Overall Length	mm	1325	Service Port 2 Pressure	MPa	—
Crawler Overall Width	mm	750/1020	Service Port 2 Flow Rate	L/min	—
Dozer Blade Width x Height	mm	750/1020×200	Service Port 3 Pressure	MPa	—
Slew Radius	mm	585	Service Port 3 Flow Rate	L/min	—
Crawler Shoe Width	mm	180	Service Port 4 Pressure	MPa	—
Ground Clearance of Undercarriage	mm	155	Service Port 4 Flow Rate	L/min	—
			Slew Speed	min ⁻¹	10.0
			Travel Speed (1st/2nd)	km/h	2.0/3.7
			Maximum Tractive Force	kN	12.8
Operating Ranges / Digging force			Equipment		
Maximum Digging Depth	mm	1755	Monitoring Display		—
Maximum Reach	mm	3285	ROPS/TOPS/FOPS/OPG		○/○/-/-
Boom Swing Angle Left / Right	deg	85/85	Auto Deceleration System		—
Dozer Blade Maximum Lifting / Lowering	mm	250/175			
Bucket Digging Force	kN	11.2			

TAKEUCHI

WORLD CREATOR OF COMPACT EXCAVATOR
TAKEUCHI MFG.CO.,LTD.

205, Uwadaira, Sakaki-machi, Hanisina-gun.

Nagano 389-0605, Japan

Phone (81)268-81-1112

Telefax (81)268-81-1121

URL <http://www.takeuchi-mfg.co.jp>

E-mail: marketing@takeuchi-mfg.com

ABS-MASKIN AS

Strandvn. 20 A - Postboks 34

3051 MJØNDALEN

Tlf. 32 23 18 10, Fax 32 23 18 11