

P 220 B

PALFINGER

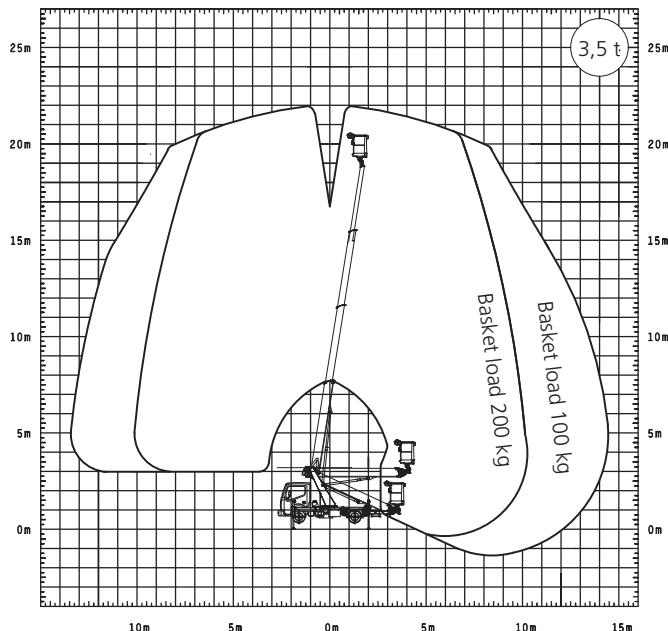
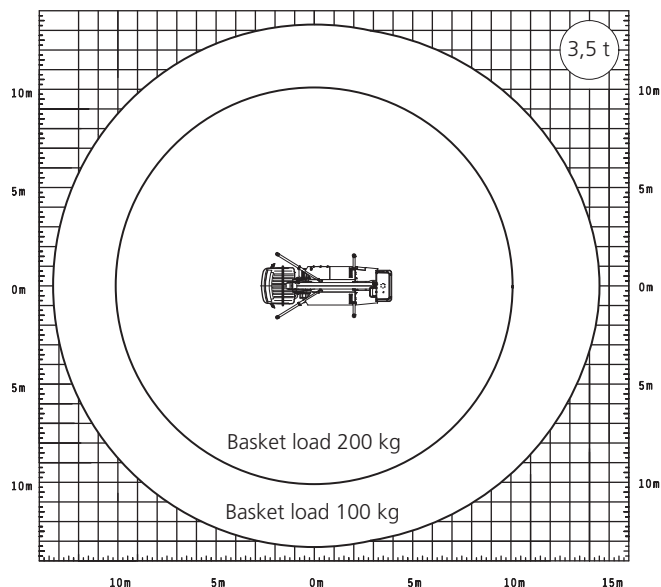


Setting new standards in standard class

In addition to its performance data, the P 220 B is also irresistible on account of its easy handling, robust, yet light-weight aluminum construction, and array of comfort functions that make an operator's life a whole lot easier. Ideal as a rental or for municipal applications. – The platform meets the highest demands in profitability and work safety required in the “pick up & go” business.

Top performance in the 3.5-ton class

P 220 B Working range



Technical Data

Specifications of basic model

Max. working height	21.9 m
Max. basket floor height	19.9 m
Max. horizontal outreach to the rear (with 100 kg basket load)	14.5 m
Max. horizontal outreach laterally (with 100 kg basket load)	13.5 m
Max. horizontal outreach to the front (with 100 kg basket load)	13.5 m

Carrier vehicle and installation

Length in transport position	6.68 m
Width in transport position	2.16 m
Height in transport position	3.0 m
Angle of slope	12°
Hydraulic oil tank with return line filter; capacity	60 l

Stabilizers

2 hydraulically extendable front outriggers; max. stabilizer spread*	3.4 m
2 hydraulically extendable rear outriggers; max. stabilizer spread*	3.26 m
2 hydraulically extendable front outriggers; min. stabilizer spread*	2.15 m
2 hydraulically extendable rear outriggers; min. stabilizer spread*	2.16 m
Max. permissible inclination	5°

* stabilizer spread from outer edge to outer edge

Manual and emergency controls

Integrated in the body - well-protected and lockable	standard
Emergency hand pump	standard

Slewing system

Design	Turntable with slew drive
Slewing range	500°

Boom system

Design	Extruded aluminum hexagonal tubes
Number of extendable sections in the main boom	3

Aluminum workman basket

Length x width x height	1.4 x 0.7 x 1.1 m
Hydraulic basket slew drive; slewing range	2 x 90°
Max. permissible load	200 kg